

## Guard Net controller manual (Euro1 firmware).

Guard Net is complete single door network controller for two locks and it works with two readers. It has two RS-485 network ports for further independent connection to USB or IP converter.

Supply voltage 9 – 16VDC

Supply current 100mA

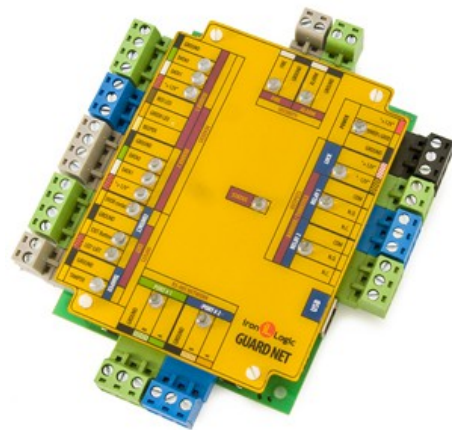
Temperature range -30 ... +50C

Relative humidity >90%

Dimensions of plastic casing 170x170x40mm

### Overview:

First lock is used at daytime. This lock has very large number of possible working cycles and fast response time. Second lock is more rigid and used at night time to have higher security level.



These locks can be managed by:

- 1)Several types of proximity cards with additional PIN codes
- 2)Fire and Alarm inputs
- 3)Special time schedules
- 4)Remote commands from PC

### Key types:

Single or combined proximity cards can be used. Possible combinations are: single card, two cards used one by one, card with longer application time to reader (over 5 sec.) for Dallas TM readers, PIN code + card. 16 000 keys can be saved. Each of these cases can have its own designation:

- 1)Normal card (only access). When applied door will be opened.
- 2)Blocking (access + management). When removed from reader door will be opened, but if it will be applied to reader for more than 5sec. Then controller will change working mode according to table No1.
- 3)Functional (for only management of working modes). At each application mode of controller will be changed according to table No2.

### Working modes:

Controller can be in one of six static working modes. Modes are shown with LED indication on reader.

- 1)Day Time mode. Day lock is closed and can be opened with appropriate card. Night Lock is opened. Red LED is on.
- 2)Night Time mode. Both locks are closed. When this mode is activated in current controller information is sent over to other controllers connected under Guard Light software or in same RS-485 line under Z-397 IP converter (if allowed by setting configured over USB). Red LED is blinking.

- 3)Free mode. Both locks are opened. Green LED is on.
- 4)Fire mode. Both locks are opened. When this mode is activated in current controller information is send over to other controllers connected under Guard Light software or in same RS-485 line under Z-397 IP converter (if allowed by setting configured over USB). Warning sound and red LED blinking are on.
- 5)Waiting mode. Can be turned on remotely from PC or by schedule for further changing to Free mode at moment when first valid Normal card is applied to reader. Green LED is blinking.
- 6)Warning. Turned on if there is no confirmation from Night Lock about successful closing.

### **Changing of Working modes:**

Working with blocking and functional card

Day Time mode + door closed + appropriate key used> controller will switch to Night Time mode

Day Time mode + door opened + appropriate key used> controller will switch to Free mode

Night Time mode + appropriate key used > Controller will switch to Day Time mode

Alarm and Fire input functionality

When Fire input is connected to GND controller will switch to fire mode. When this signal is removed then on current controller door will stay open till first application of appropriate key, but on other controllers on same RS-485 network both locks will take same position as before Fire signal was applied. Input can be disabled in settings of the controller.

When Alarm input is connected to GND controller will switch to Night Time mode. When this signal is removed then for all controllers on same RS-485 network both locks will take same position as before Alarm signal was applied. Input can be disabled in settings of the controller.

### **Settings of the controller**

Connect controller with supplied USB cable to PC. It will show up as storage device. Open CONFIG.CFG file with notepad.

```
# Readers Mode
# W = Weigand
# D = Dallas
READER1=W - defines interface of Reader 1 (wiegand/Dallas)
READER2=D - defines interface of Reader 2 (wiegand/Dallas)

NIGHTLOCK_TIMEOUT=10 - time for confirmation of closed Night Lock

# Active level settings - defines positive or negative signal will trigger alarms
LOCK=0
FIRE=0

# FIRE alarm settings
USE_FIRE=1 - use 1 if need Fire input enabled
USE_TEMP=0
MAX_TEMP=0

# ALARM settings
SECURE_ON=0
USE_ALARM=1 - use 1 if need Alarm input enabled
USE_TAMPER=0
USE_DOORSW=0
TIME_SIREN=0
```

### **Connection diagrams:**

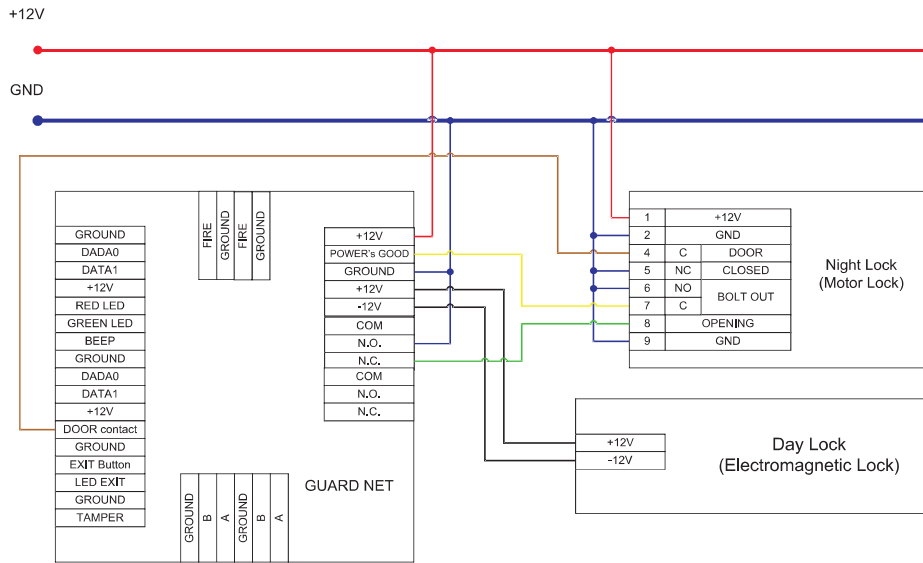
Please see below connection diagrams.

If electromagnetic lock is used as Day lock then it is opened w/o applied voltage.

Night Lock is opened when OPENING is connected to GND.

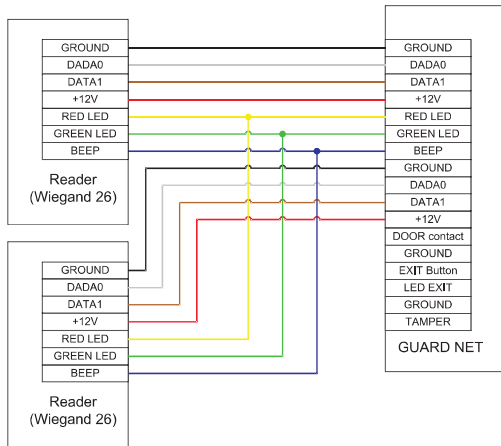
Terminal BOLT OUT is used for confirmation of Night Lock opening.

## Connection for Locks

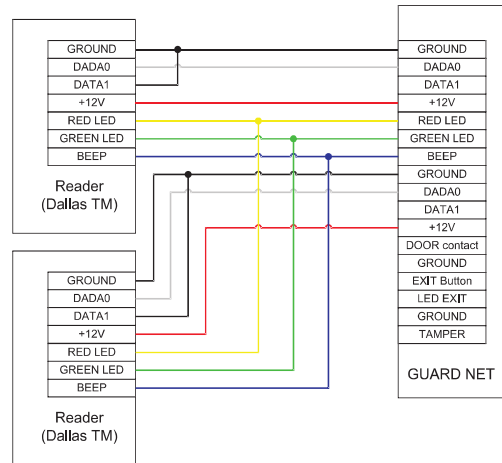


## Connection for Readers

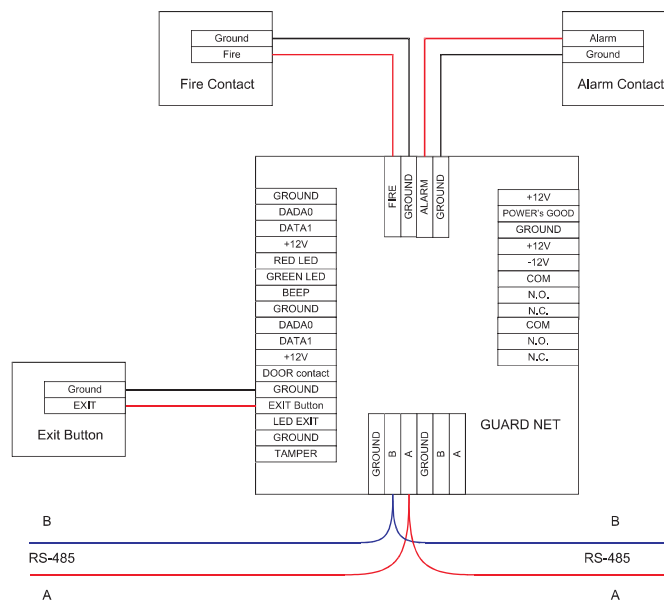
### Wiegand 26



### Dallas TM



## Connection for Alarm inputs/ Exit button /Data Line



## Installation Example

